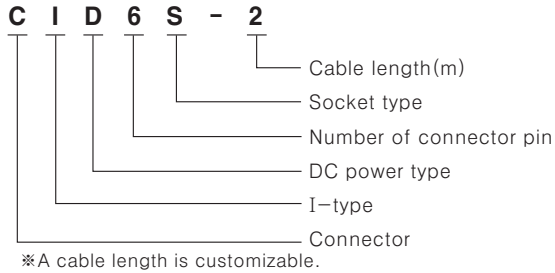


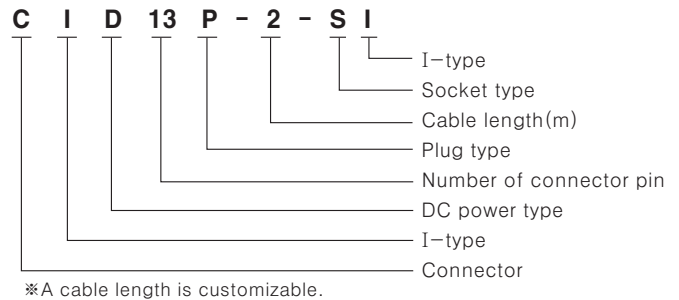
Encoder connector cable / Connector connection cable

Ordering information

◎Connector cable(Socket type)



◎Connector connection cable(Socket-Plug type)

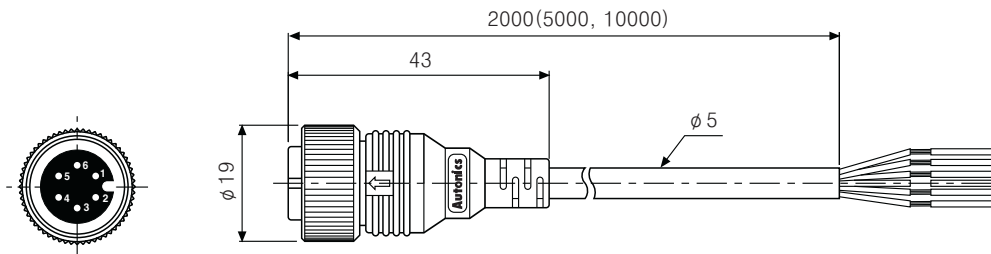


Dimensions

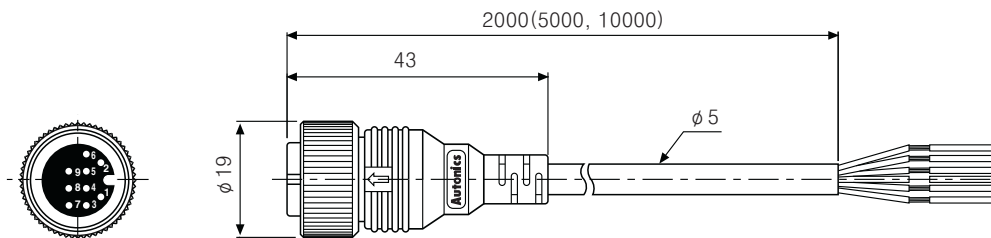
(Unit:mm)

◎Connector cable(Socket type)

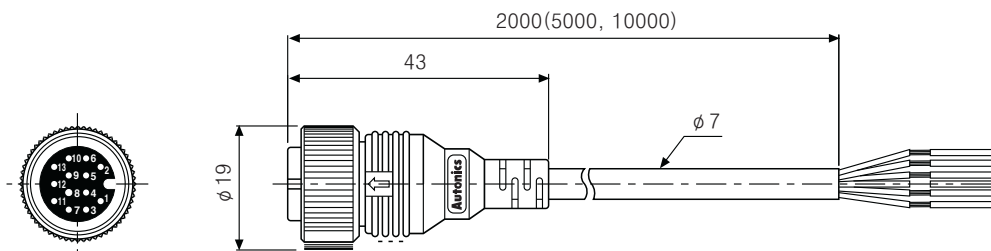
●CID6S-2, CID6S-5, CID6S-10 (Totem pole output / NPN open collector output / Voltage output)



●CID9S-2, CID9S-5, CID9S-10 (Line driver output)

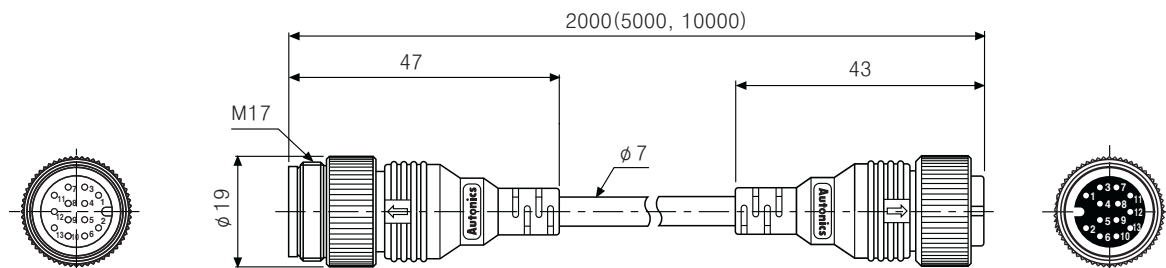


●CID13S-2, CID13S-5, CID13S-10



◎Connector connection cable(Socket-Plug type)

●CID13P-2-SI, CID13P-5-SI, CID13P-10-SI



(A)	Photo electric sensor
(B)	Fiber optic sensor
(C)	Door/Area sensor
(D)	Proximity sensor
(E)	Pressure sensor
(F)	Rotary encoder
(G)	Connector/Socket
(H)	Temp. controller
(I)	SSR/ Power controller
(J)	Counter
(K)	Timer
(L)	Panel meter
(M)	Tacho/ Speed/ Pulse meter
(N)	Display unit
(O)	Sensor controller
(P)	Switching power supply
(Q)	Stepping motor & Driver & Controller
(R)	Graphic/ Logic panel
(S)	Field network device
(T)	Production stoppage models & replacement